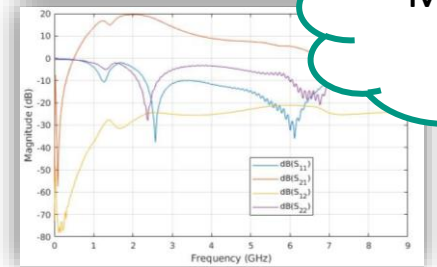
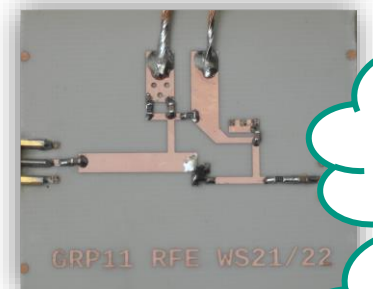
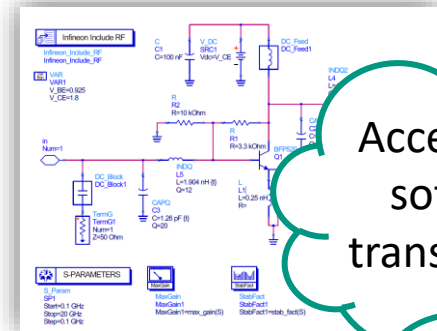


# Workshop: Build your own RF Amplifier!



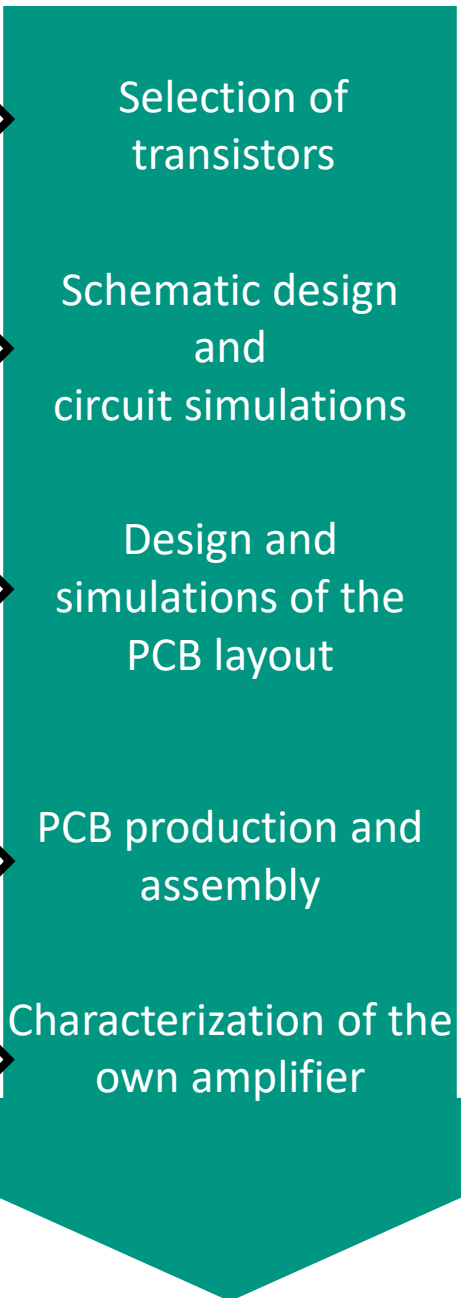
Multiple transistors datasheet

Access to design software and transistor models

Matching network design

Structure and production at IHE

Measurements at IHE



- Tutorial: Transistor properties  
2 weeks
- Tutorial: Keysight ADS  
4 weeks
- Tutorial: PCB design  
4 weeks
- Tutorial: PCB fabrication training  
4 weeks
- Tutorial: Measuring systems  
3 weeks